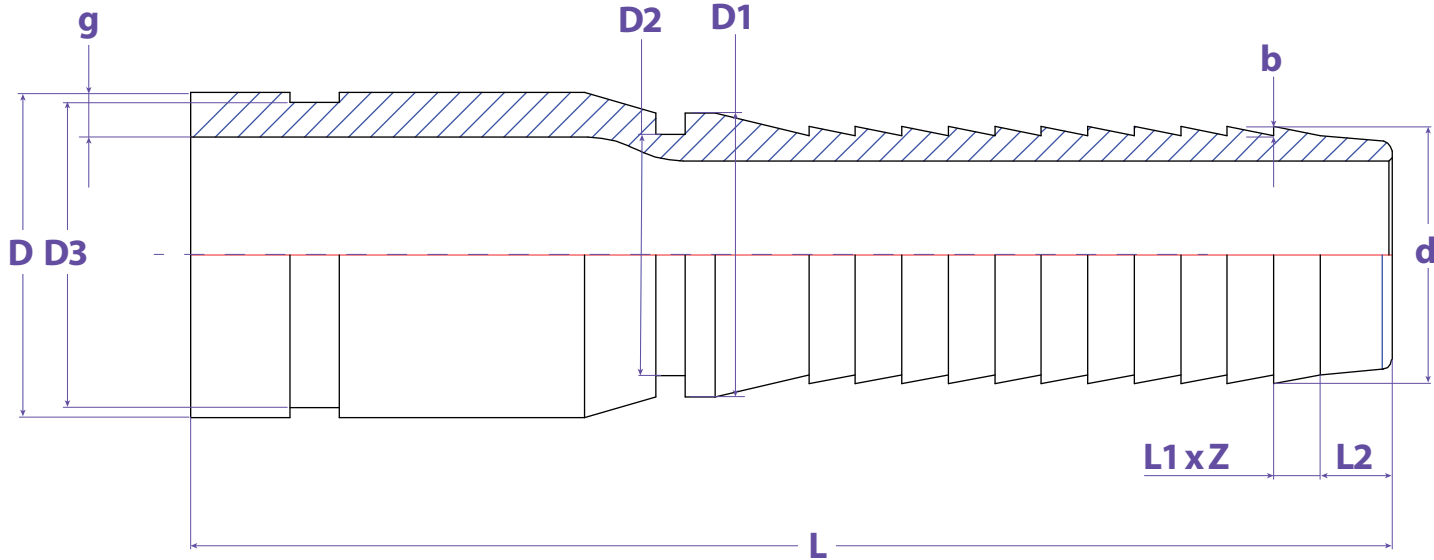




GROOVED



FEATURES & APPLICATIONS:

• General Uses:

A camlock fitting is a type of coupling that is used to connecting hose and or pipes together that transfers liquids, powders and granules. A straight through connection is made that maintains the pipe size and allows the free flow of materials being transferred.

Size	Working PSI	D	D1	D2	D3	d	g	b	L1	Z	L2	L	PART #
1"	150	0.118	1.268	1.169	1.220	1.035	0.134	0.031	0.157	11	0.276	4.528	SF100SSG6C
1-1/4"	150	1.681	1.520	1.413	1.575	1.280	0.142	0.031	0.157	11	0.295	4.528	SF125SSG6C
1-1/2"	150	1.913	1.677	1.563	1.783	1.535	0.146	0.039	0.157	13	0.354	4.764	SF150SSG6C
2"	150	2.382	2.185	2.059	2.264	2.031	0.154	0.039	0.197	11	0.394	5.236	SF200SSG6C
2-1/2"	150	2.874	2.752	2.610	2.717	2.531	0.205	0.039	0.197	12	0.394	5.906	SF250SSG6C
3"	150	3.500	3.315	3.150	3.346	3.031	0.217	0.047	0.197	16	0.394	7.008	SF300SSG6C
4"	150	4.500	4.311	4.157	4.331	4.031	0.236	0.047	0.197	18	0.433	7.598	SF400SSG6C
6"	75	6.626	6.358	6.181	6.457	6.047	0.280	0.059	0.256	19	0.472	9.331	SF600SSG6C

WARNING:

Cam & Groove Couplings should **NOT** be used with any compressed gas, including steam or air. Metal fittings should **NOT** be used with Polypropylene Cam & Groove. Dust Caps and Dust Plugs are **NOT** designed for pressure applications.

Note: All Seal Fast Cam & Groove Stainless Bodies are 316 Investment with 304 Handles.

TITLE CRIMPTEK COMBO NIPPLES - GROOVED

DISCLAIMER

All drawings and specifications are subject to change without notice. Drawings represent general dimensions of our products. Seal Fast cannot guarantee the dimensions in the drawing will exactly match those in the drawing. This drawing is the property of Seal Fast Inc. Copying or reproduction of this drawing is expressly prohibited.

MATERIAL

SUS 316

DRAWING NOT TO SCALE

PART #

SF...SSG6C

